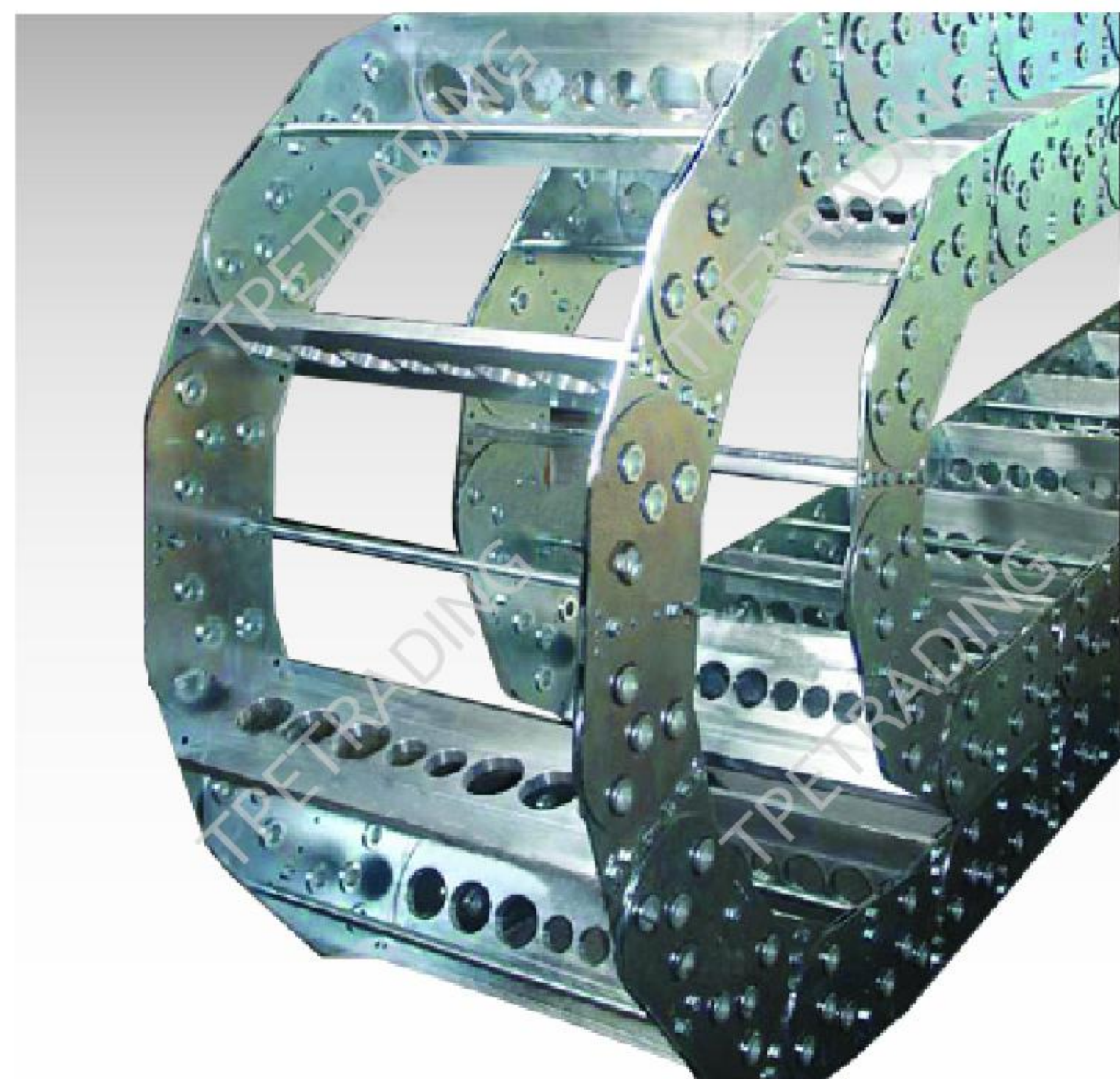


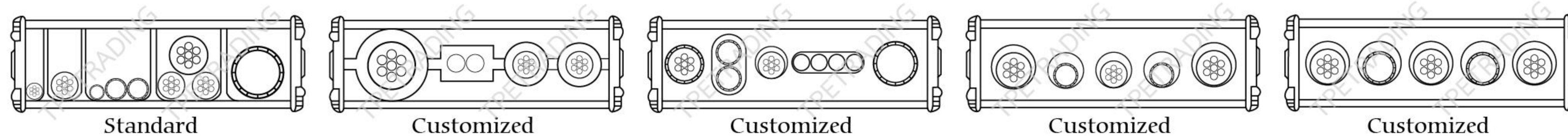
CABLE DRAG CHAIN : TL SERIES



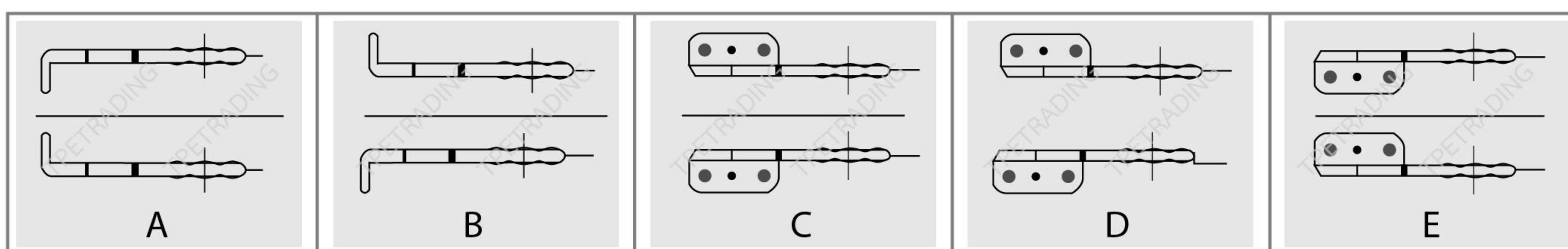
Material	Carbon Steel , Aluminium Alloy, Stainless Steel (Opt)
Inner Height	10 - 175 mm.
Outer Height	25 - 220 mm.
Width	Customized
Colours	Silver, Natural
Working Speed	Max moving speed 40m./Sec.
Noise Volumn	Not greater than 68 db (at max speed)

Cable Drag Chain - TL Series are designed to provide reliable guidance and protection to supply lines and hoses on moving machine parts. A comprehensive range of cost effective drag chains are available at ZDe from plastic mini-energy chains, those which open on one or both sides up to large chains for offshore applications, made from special allow.

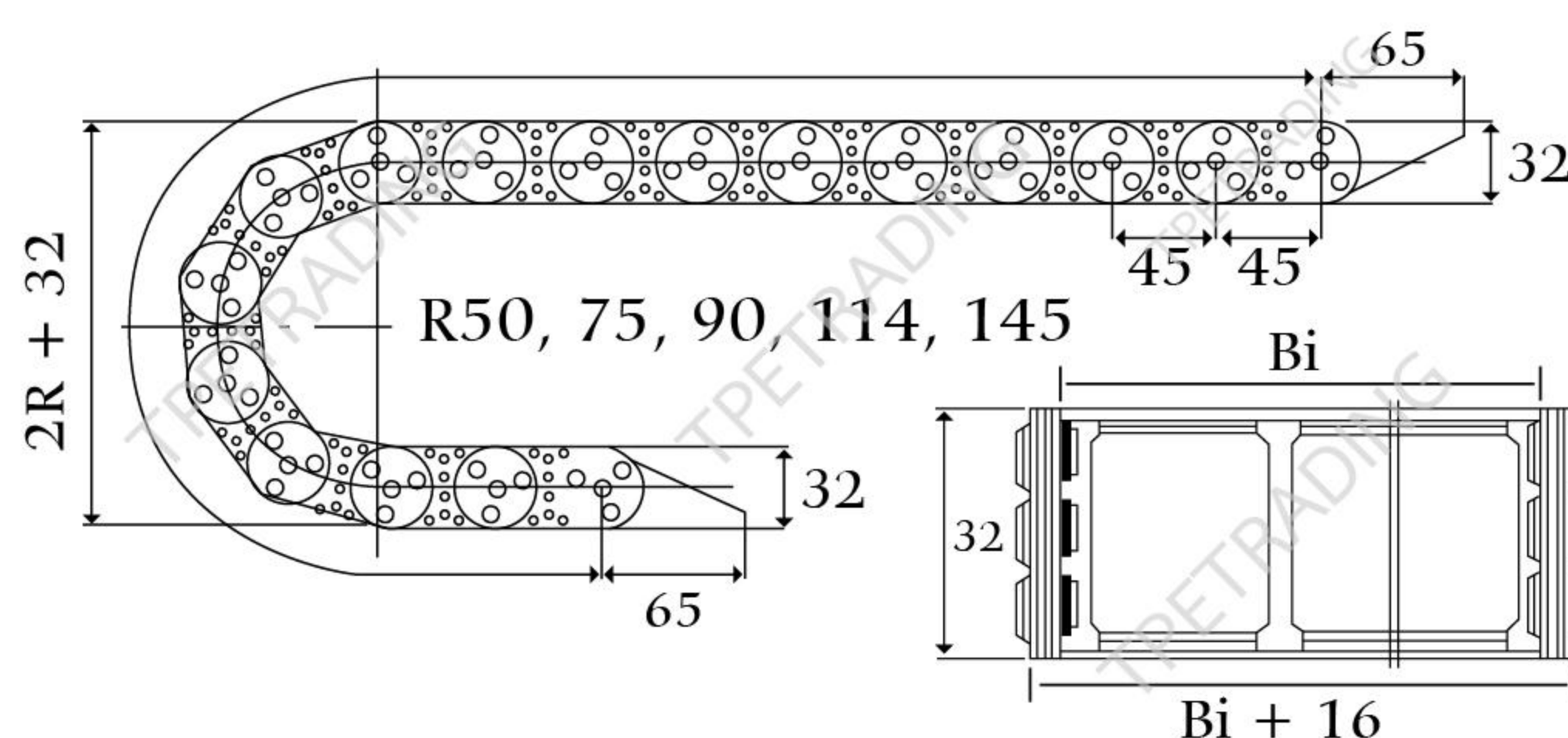
Partition Structure



Connection Type

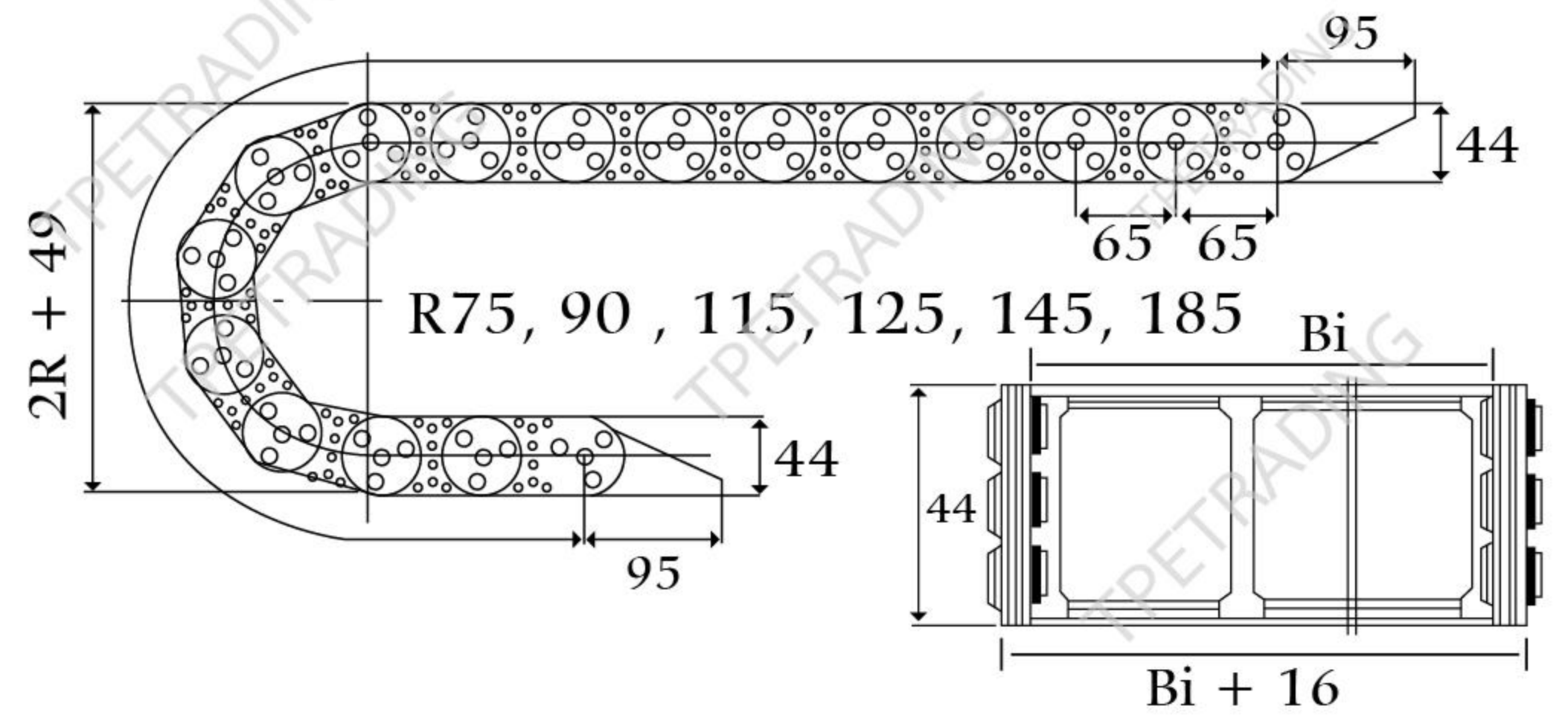


TL45



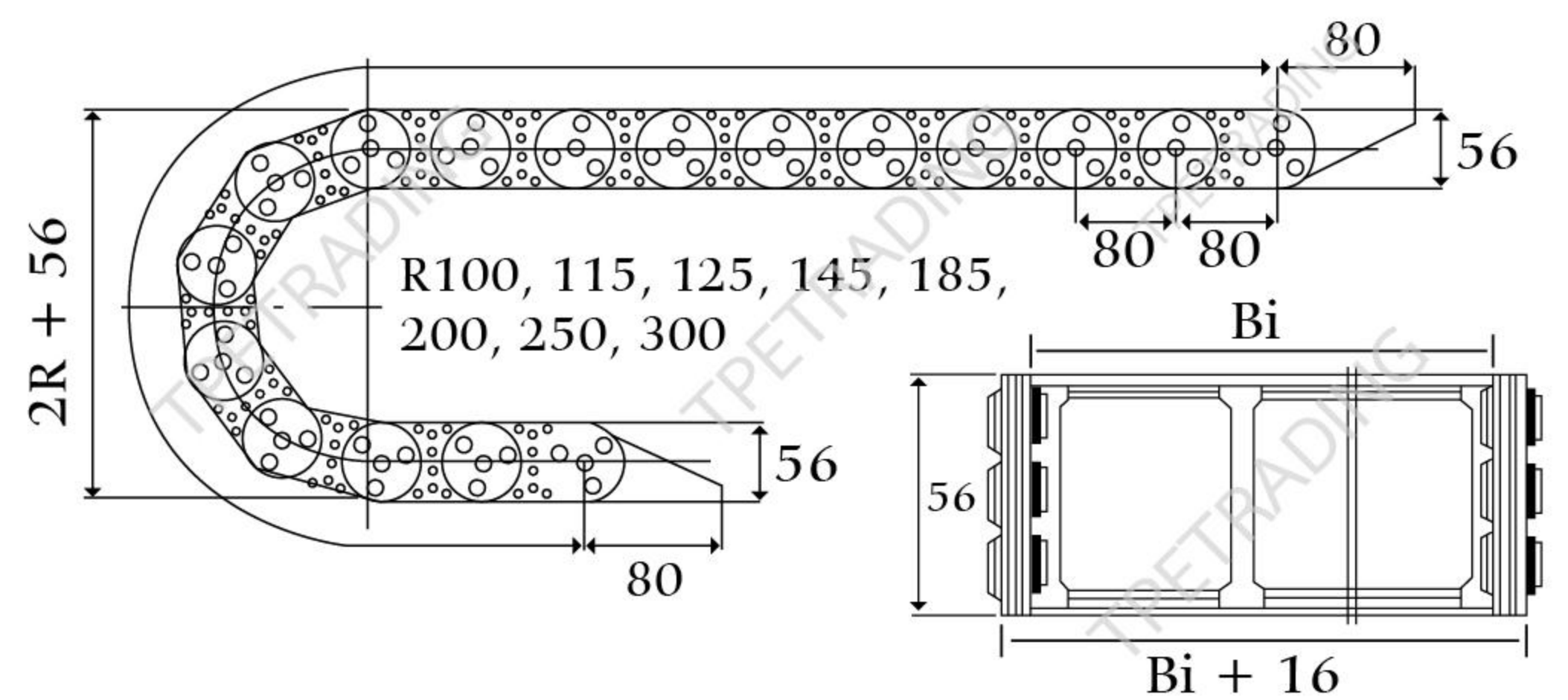
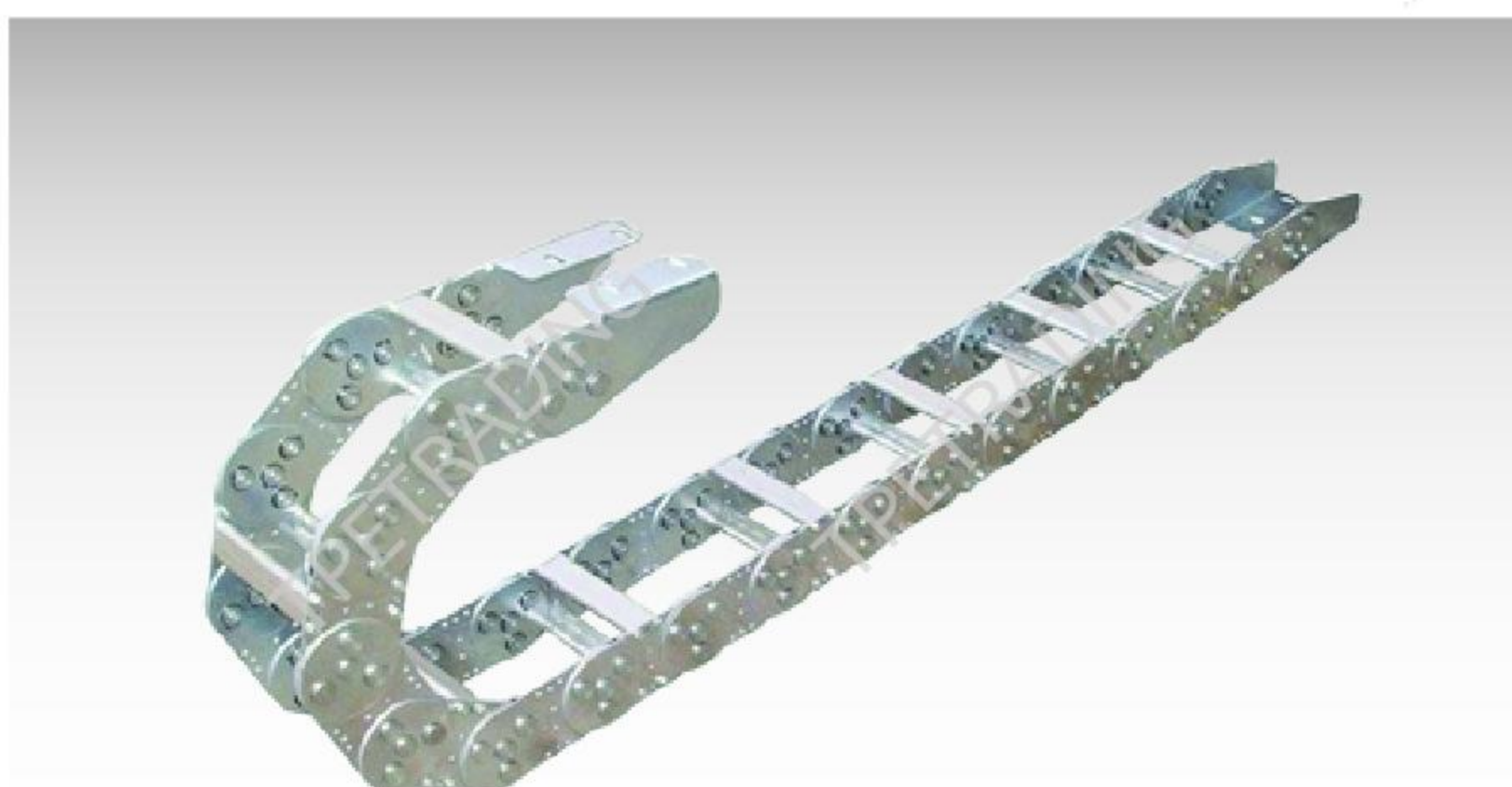
Type	Pitch	Height		Width (Customized)		Inside Max-Hole	Bending Radius
		Inside	Outside	Inside	Outside		
TL45	45	16	32	75	91	-	50, 75, 90, 114, 145
TL45	45	16	32	Bi	Bi+16	-	

TL65



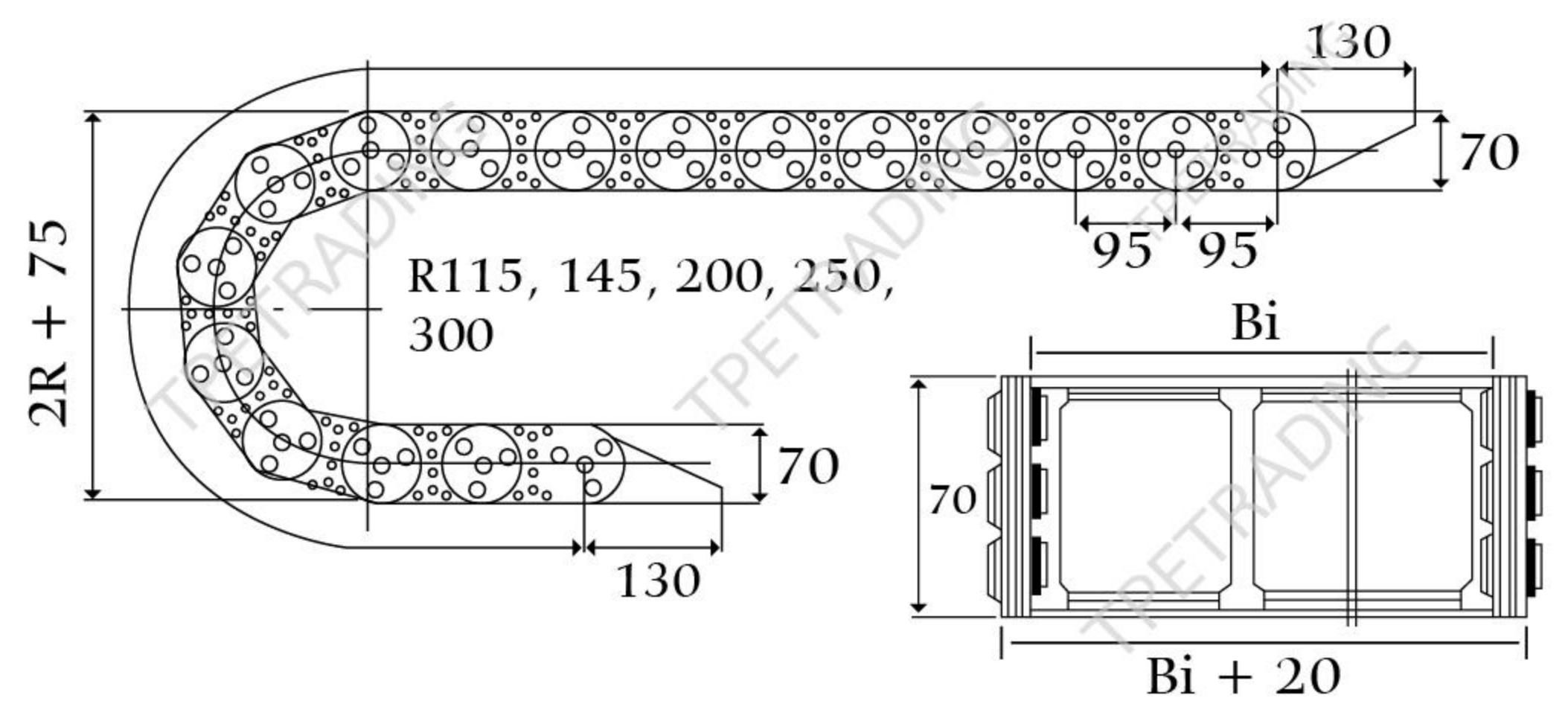
Type	Pitch	Height		Width (Customized)		Inside Max-Hole	Bending Radius
		Inside	Outside	Inside	Outside		
TL65	65	25	44	75	91	30	75, 90, 115, 125, 145, 185
TL65	65	25	44	Bi	Bi+16	30	

TL80



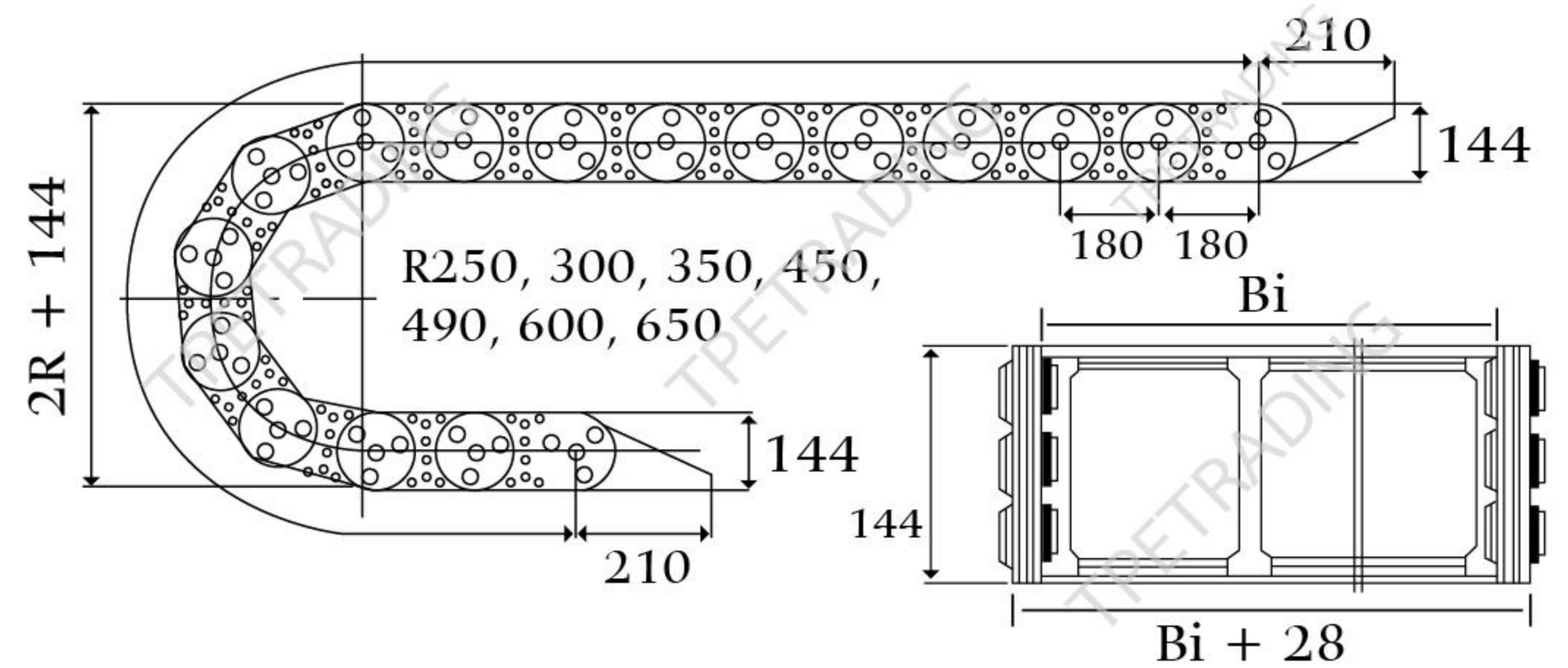
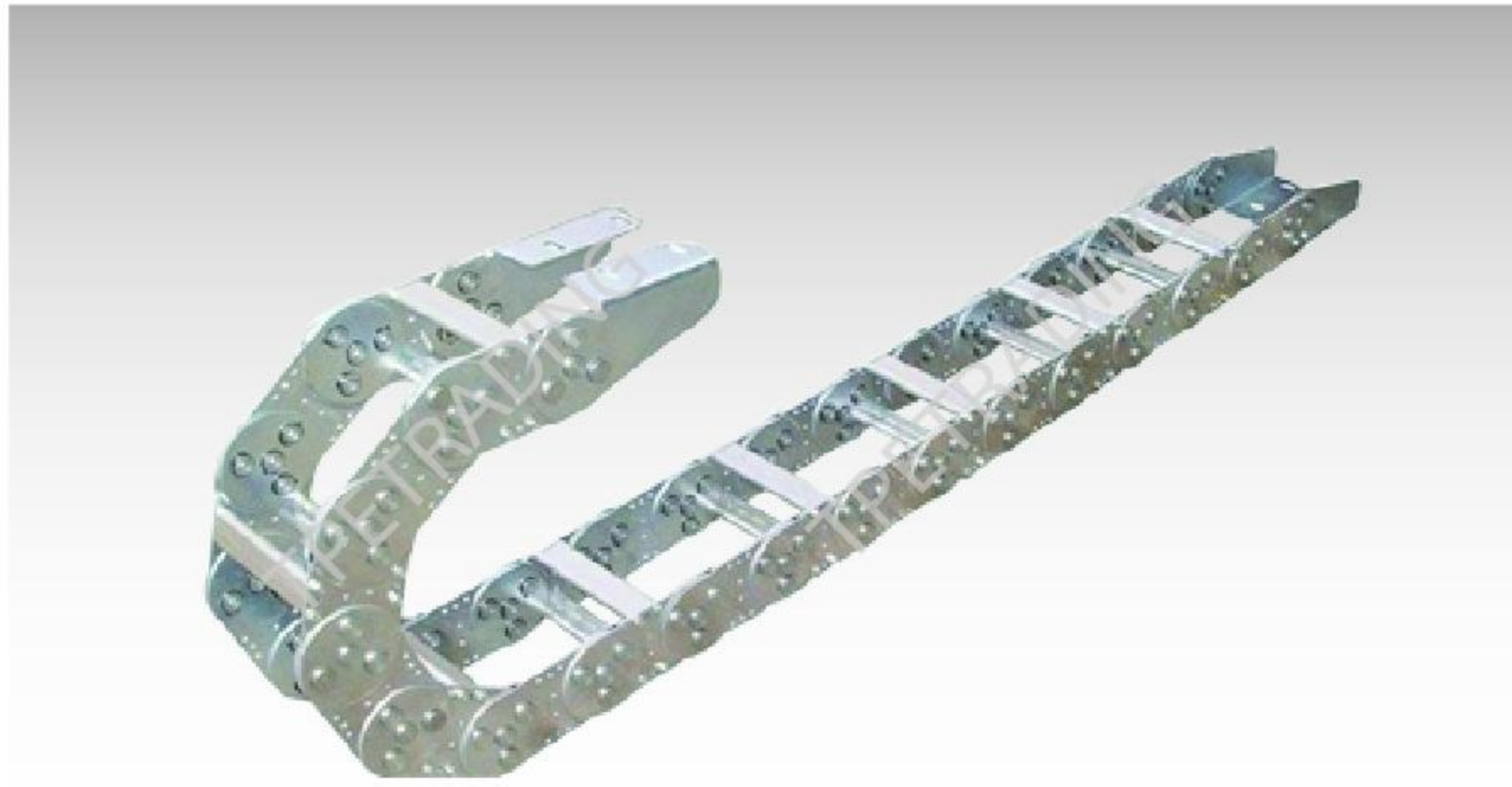
Type	Pitch	Height		Width (Customized)		Inside Max-Hole	Bending Radius
		Inside	Outside	Inside	Outside		
TL80	80	35	56	75	91	35	100, 115, 125, 145, 185, 200, 250, 300
TL80	80	35	56	Bi	Bi+16	35	

TL95



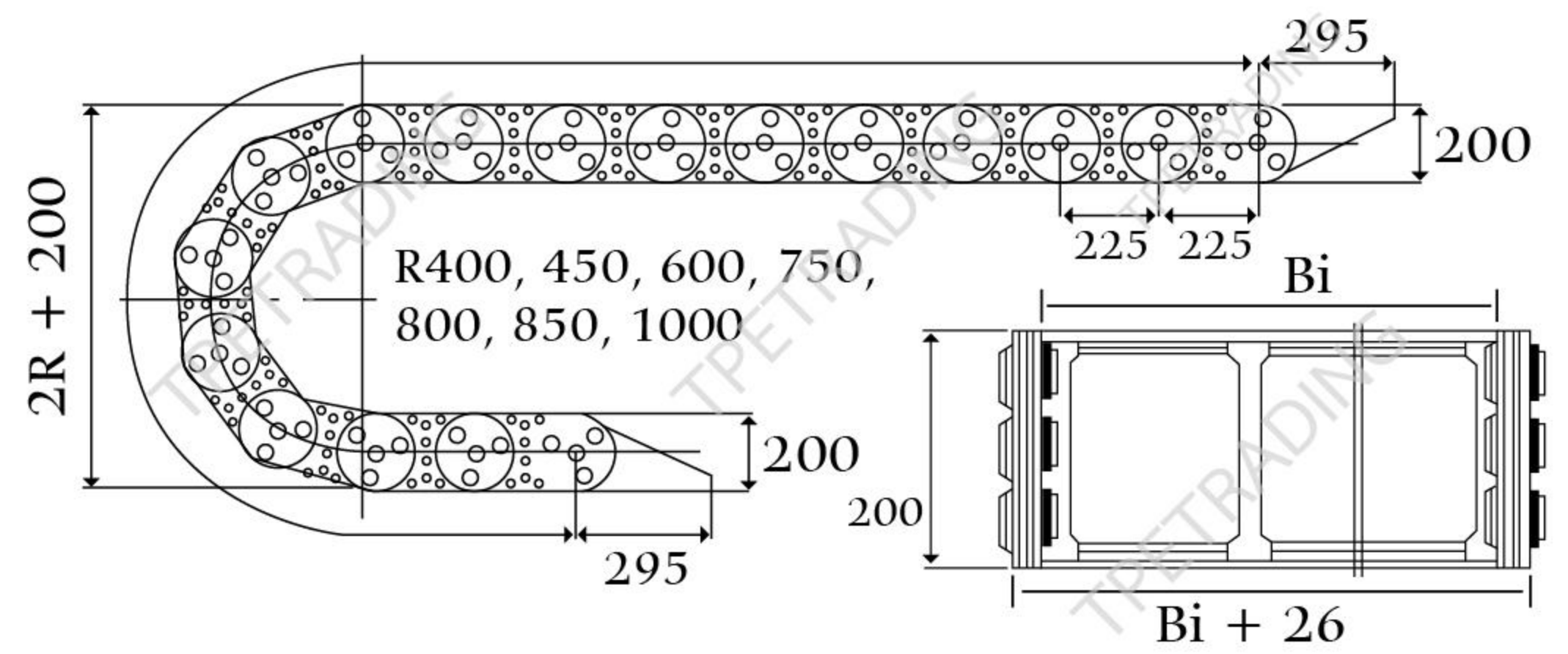
Type	Pitch	Height		Width (Customized)		Inside Max-Hole	Bending Radius
		Inside	Outside	Inside	Outside		
TL95	95	48	70	75	95	48	115, 145, 200, 250, 300
TL95	95	48	70	Bi	Bi+20	48	

TL180



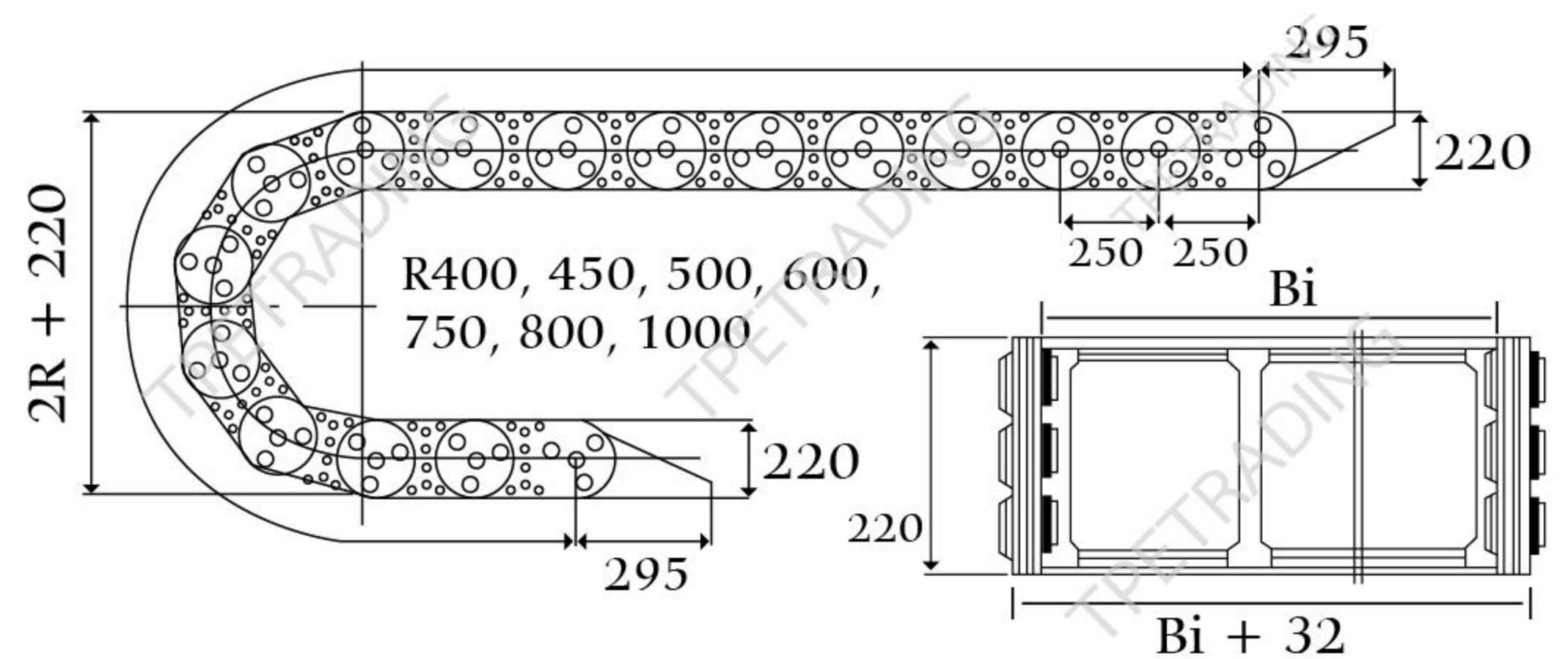
Type	Pitch	Height		Width (Customized)		Inside Max-Hole	Bending Radius
		Inside	Outside	Inside	Outside		
TL180	180	112	144	75	103	110	250, 300, 350, 450, 490, 600, 650
TL180	180	112	144	B_i	$B_i + 28$	110	

TL225



Type	Pitch	Height		Width (Customized)		Inside Max-Hole	Bending Radius
		Inside	Outside	Inside	Outside		
TL225	225	152	200	75	101	146	400, 450, 600, 750, 800, 850, 1000
TL225	225	152	200	B_i	$B_i + 26$	146	

TL250



Type	Pitch	Height		Width (Customized)		Inside Max-Hole	Bending Radius
		Inside	Outside	Inside	Outside		
TL250	250	172	220	75	107	166	400, 450, 500, 600, 750, 800, 1000
TL250	250	172	220	B_i	$B_i + 32$	166	