

CABLE DRAG CHAIN : TL SERIES



Cable Drag Chain - TL Series are designed to provide reliable guidance and protection to supply lines and hoses on moving machine parts. A comprehensive range of cost effective drag chains are available at ZDe from plastic mini-energy chains, those which open on one or both sides up to large chains for offshore applications, made from special allow.

Material : Carbon Steel , Aluminium Alloy

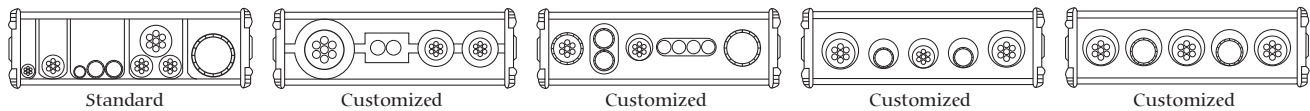
Inner Height : 10 - 175 mm.

Outer Height : 25 - 220 mm.

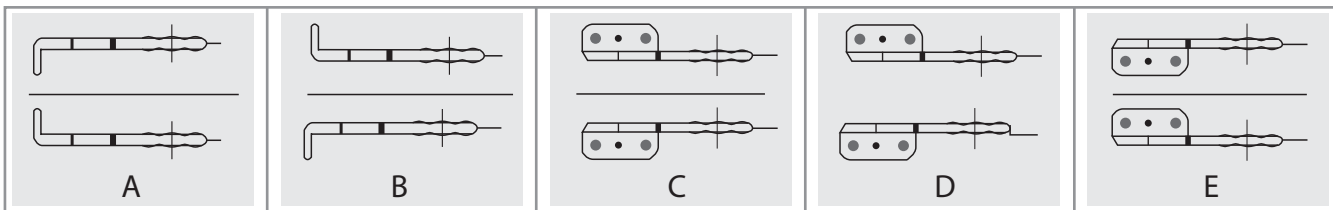
Width : Customized

Color : Silver, Natural

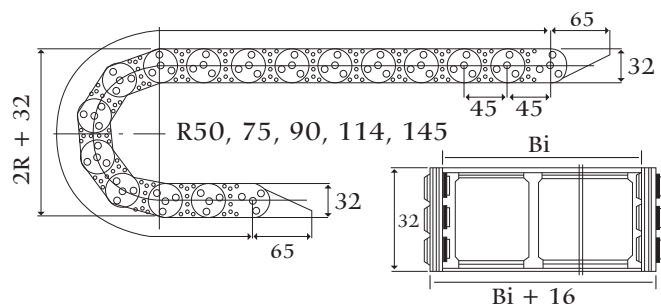
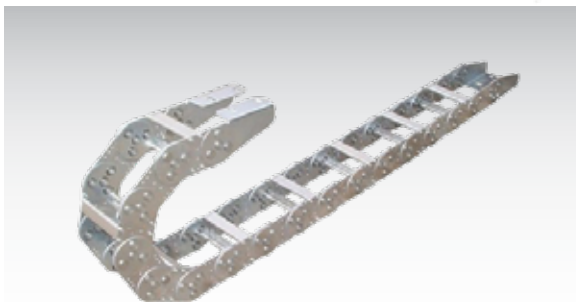
Partition Structure



Connection Type



TL45

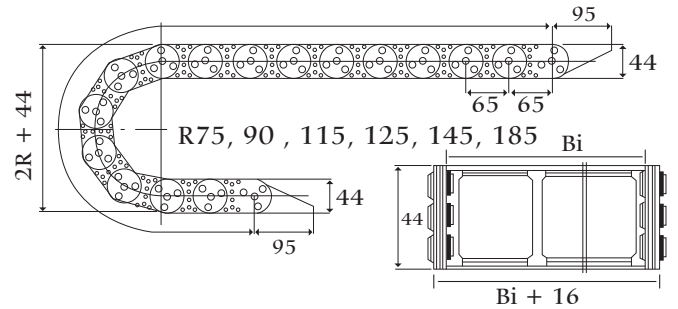
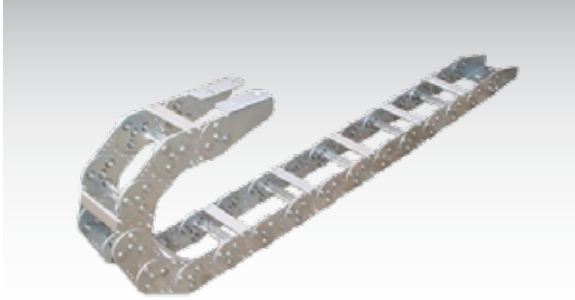


Type	Pitch	Height		Length		Inside Max-Hole	Edge Thickness	Bending Radius
		Inside	Outside	Inside	Outside			
TL45	45	16	32	75	100	18	8	50, 75, 90, 114, 145
TL45	45	16	32	Customized (Bi)		18	8	



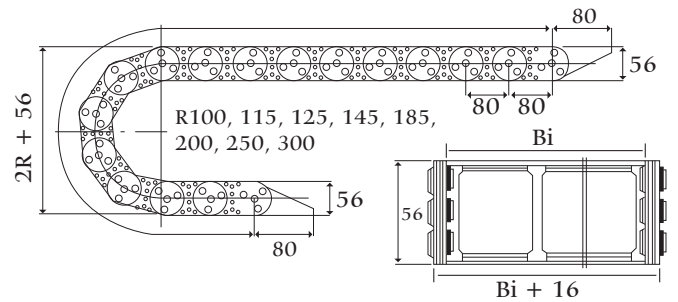
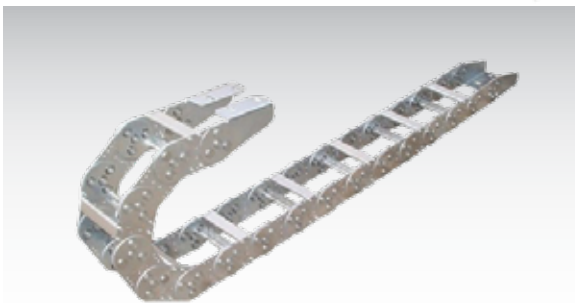
Plastic Cable Drag Chain

TL65



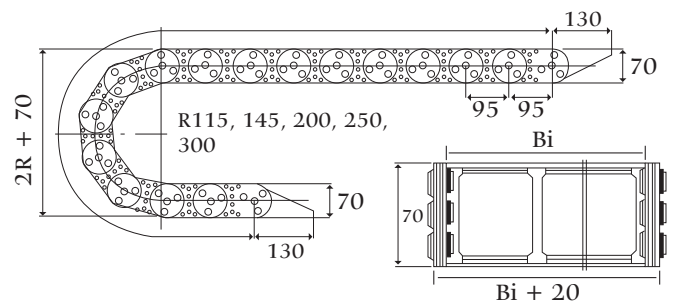
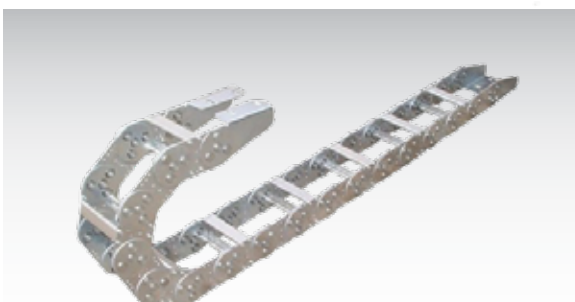
Type	Pitch	Height		Length		Inside Max-Hole	Edge Thickness	Bending Radius
		Inside	Outside	Inside	Outside			
TL65	65	25	44	75	100	30	8	75, 90, 115, 125, 145, 185
TL65	65	25	44	Customized (Bi)		30	8	

TL80



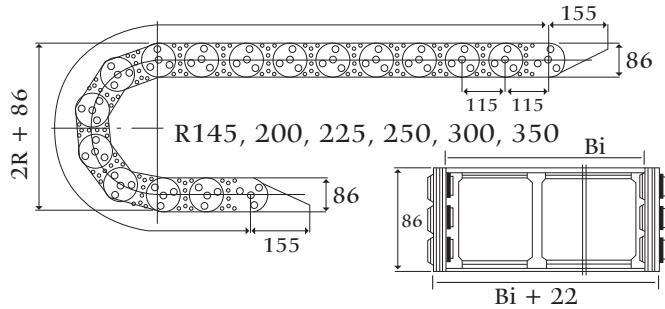
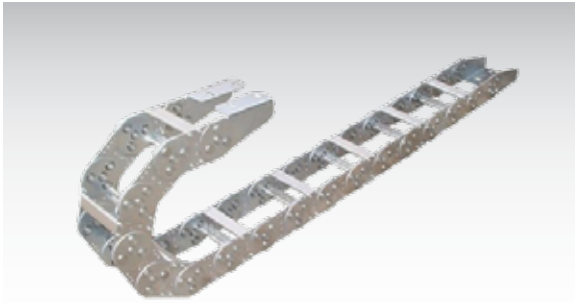
Type	Pitch	Height		Length		Inside Max-Hole	Edge Thickness	Bending Radius
		Inside	Outside	Inside	Outside			
TL80	80	32	56	75	100	35	8	100, 115, 125, 145, 185, 200, 250, 300
TL80	80	32	56	Customized (Bi)		35	8	

TL95



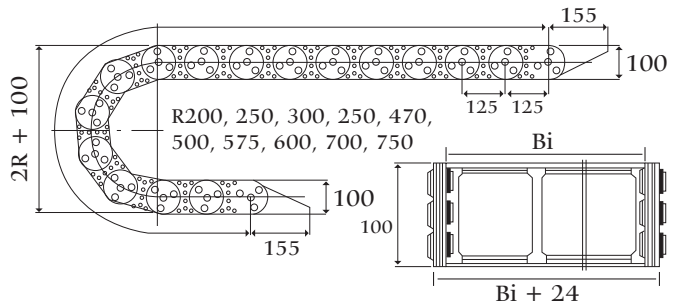
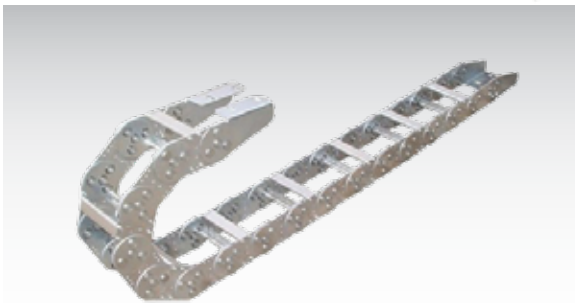
Type	Pitch	Height		Length		Inside Max-Hole	Edge Thickness	Bending Radius
		Inside	Outside	Inside	Outside			
TL95	95	48	70	75	100	48	10	115, 145, 200, 250, 300
TL95	95	48	70	Customized (Bi)		48	10	

TL115



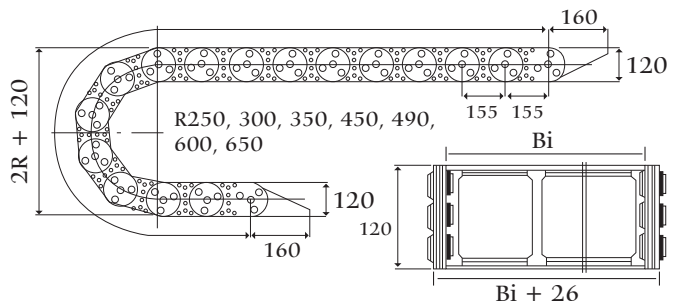
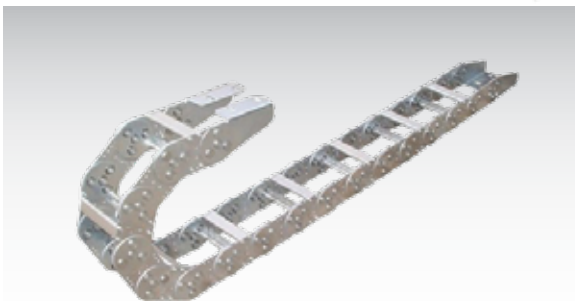
Type	Pitch	Height		Length		Inside Max-Hole	Edge Thickness	Bending Radius
		Inside	Outside	Inside	Outside			
TL115	115	58	86	75	100	63	11	145, 200, 225, 250, 300, 350
TL115	115	58	86	Customized (Bi)		63	11	

TL125



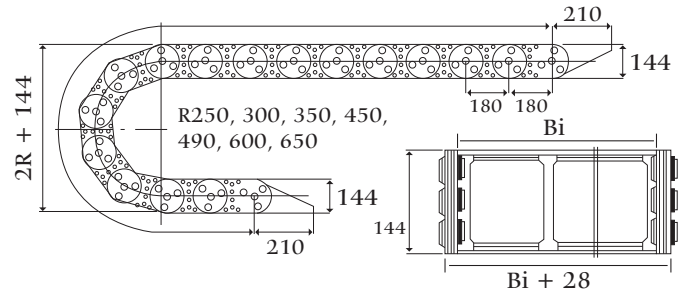
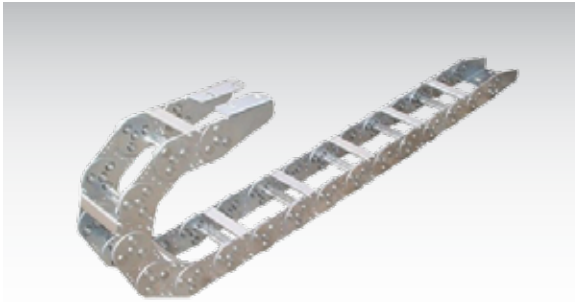
Type	Pitch	Height		Length		Inside Max-Hole	Edge Thickness	Bending Radius
		Inside	Outside	Inside	Outside			
TL125	125	68	100	75	100	68	12	200, 250, 300, 350, 470, 500, 575, 600, 700, 750
TL125	125	68	100	Customized (Bi)		68	12	

TL155



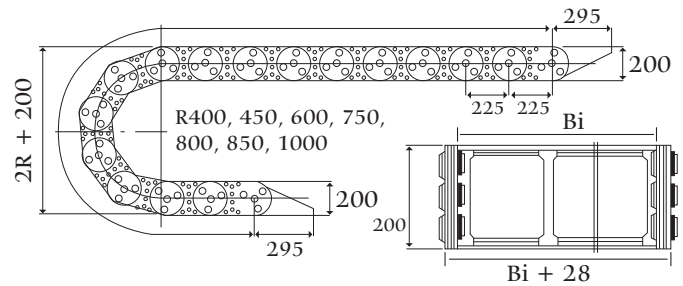
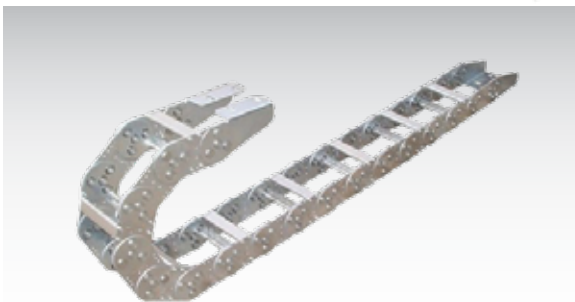
Type	Pitch	Height		Length		Inside Max-Hole	Edge Thickness	Bending Radius
		Inside	Outside	Inside	Outside			
TL155	155	86	120	75	100	97	13	250, 300, 350, 450, 490, 600, 650
TL155	155	86	120	Customized (Bi)		97	13	

TL180



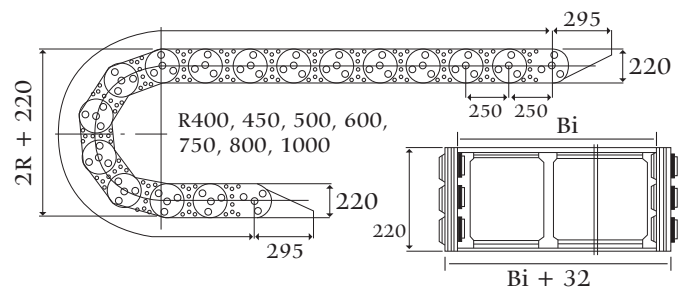
Type	Pitch	Height		Length		Inside Max-Hole	Edge Thickness	Bending Radius
		Inside	Outside	Inside	Outside			
TL180	180	112	144	75	100	110	14	250, 300, 350, 450, 490, 600, 650
TL180	180	112	144	Customized (Bi)		110	14	

TL225



Type	Pitch	Height		Length		Inside Max-Hole	Edge Thickness	Bending Radius
		Inside	Outside	Inside	Outside			
TL225	225	165	200	75	100	146	14	400, 450, 600, 750, 800, 850, 1000
TL225	225	165	200	Customized (Bi)		146	14	

TL250



Type	Pitch	Height		Length		Inside Max-Hole	Edge Thickness	Bending Radius
		Inside	Outside	Inside	Outside			
TL250	250	187	220	75	100	166	16	400, 450, 500, 600, 750, 800, 1000
TL250	250	187	220	Customized (Bi)		166	16	