

CABLE DRAG CHAIN : DGT SERIES

The Outer layer of iron plate is stainless-steel (430). It is made of reinforced nylon 66 plus fiber. The iron plate is polished and has the advantages of reasonable structure. high strength. constant shape and exquisite appearance.



Easy to install, It is suitable for all kinds of machine tool machinery and electrical appliances, hydraulic steam line protection and decoration host overall shape. Ensure the safety of operators and enhance the competitiveness of China's machine tools and machinery in the international market.

Material : Stainless Steel , Plastic PA6

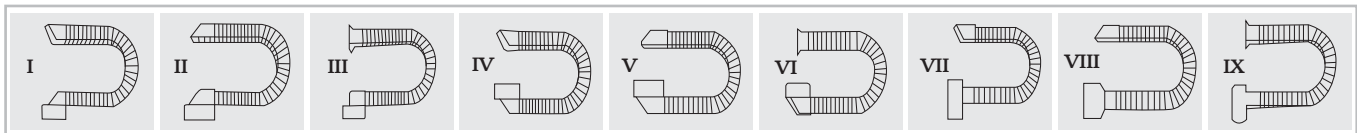
Specifications and models are as follows :

(1) such as 1#1200-A-II or 25x45x1200-A-II

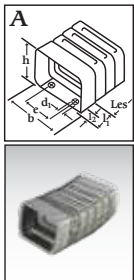
(2) such as 3#1800-CD-III or 45x90x1800-a-III

Please select the specification, model and assembly from A, B, C, D

Assembly diagram

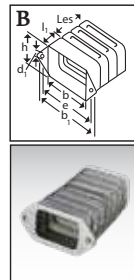


Type A connector Parameter



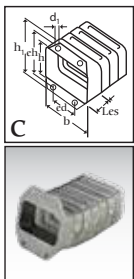
| Spec. | h | b | e | d ₁ | l ₁ | l ₂ |
|----------|----|-----|-----|----------------|----------------|----------------|
| 25 x 45 | 39 | 62 | 22 | Ø6.5 | 30 | 15 |
| 38 x 73 | 53 | 91 | 50 | Ø6.5 | 30 | 15 |
| 45 x 90 | 61 | 108 | 63 | Ø6.5 | 35 | 15 |
| 52 x 102 | 70 | 122 | 65 | Ø8.5 | 40 | 15 |
| 60 x 120 | 81 | 144 | 70 | Ø8.5 | 40 | 20 |
| 60 x 150 | 81 | 184 | 80 | Ø8.5 | 40 | 20 |
| 72 x 162 | 93 | 186 | 100 | Ø8.5 | 40 | 20 |

Type B Connector Parameter



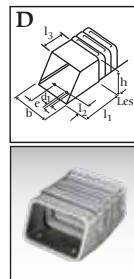
| Spec. | h | b | e | d ₁ | l ₁ | l ₂ |
|----------|----|-----|-----|----------------|----------------|----------------|
| 25 x 45 | 39 | 62 | 75 | Ø6.5 | 30 | 90 |
| 38 x 73 | 53 | 91 | 105 | Ø6.5 | 35 | 120 |
| 45 x 90 | 61 | 108 | 128 | Ø6.5 | 40 | 137 |
| 52 x 102 | 70 | 122 | 140 | Ø8.5 | 40 | 160 |
| 60 x 120 | 81 | 144 | 155 | Ø8.5 | 45 | 167 |
| 60 x 150 | 81 | 184 | 188 | Ø8.5 | 45 | 197 |
| 72 x 162 | 93 | 186 | 200 | Ø8.5 | 45 | 226 |

Type C Connector Parameters



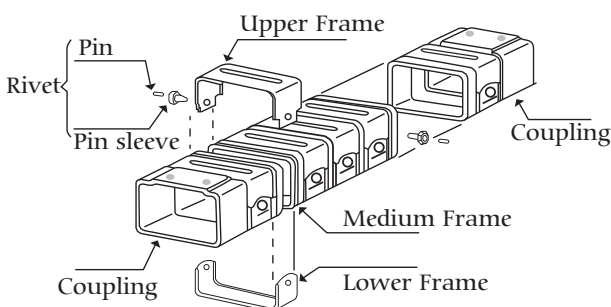
| Spec. | h | b | e | d ₁ | l ₁ | eh | h ₂ |
|----------|----|-----|----|----------------|----------------|-----|----------------|
| 25 x 45 | 35 | 60 | 18 | Ø6.5 | 30 | 55 | 80 |
| 38 x 73 | 50 | 85 | 45 | Ø6.5 | 35 | 70 | 95 |
| 45 x 90 | 54 | 103 | 52 | Ø6.5 | 40 | 87 | 102 |
| 52 x 102 | 65 | 114 | 60 | Ø8.5 | 40 | 90 | 115 |
| 60 x 120 | 73 | 132 | 68 | Ø8.5 | 42 | 103 | 123 |
| 60 x 150 | 73 | 163 | 83 | Ø8.5 | 44 | 103 | 123 |
| 72 x 162 | 93 | 186 | 95 | Ø8.5 | 45 | 110 | 135 |

Type D Connector Parameter



| Spec. | h | b | e | d ₁ | l ₁ | l ₂ |
|----------|----|-----|-----|----------------|----------------|----------------|
| 25 x 45 | 39 | 62 | 22 | Ø6.5 | 60 | 15 |
| 38 x 73 | 53 | 91 | 50 | Ø6.5 | 65 | 15 |
| 45 x 90 | 61 | 108 | 75 | Ø6.5 | 65 | 15 |
| 52 x 102 | 70 | 122 | 82 | Ø8.5 | 70 | 20 |
| 60 x 120 | 81 | 144 | 100 | Ø8.5 | 70 | 20 |
| 60 x 150 | 81 | 184 | 130 | Ø8.5 | 70 | 20 |
| 72 x 162 | 93 | 186 | 140 | Ø8.5 | 75 | 20 |

Specification Sheet



| Model | TPE DGT-1 | TPE DGT-2 | TPE DGT-3 | TPE DGT-4 | TPE DGT-5 | TPE DGT-6 | TPE DGT-7 |
|----------------------|-----------|-----------|-----------|-----------|-----------|-----------|-----------|
| Specification | 25 x 45 | 38 x 73 | 45 x 90 | 52 x 102 | 60 x 120 | 60 x 150 | 72 x 162 |
| Appearance | 39 x 62 | 53 x 91 | 61 x 108 | 70 x 122 | 81 x 144 | 81 x 184 | 93 x 186 |
| Bending Radius | 60 | 100 | 120 | 140 | 160 | 165 | 185 |
| UnSupported Length M | 1.5 | 2.0 | 2.2 | 2.5 | 2.7 | 2.9 | 3.0 |
| Load Weight (KG) | 3 | 4 | 5 | 8 | 10 | 14 | 20 |