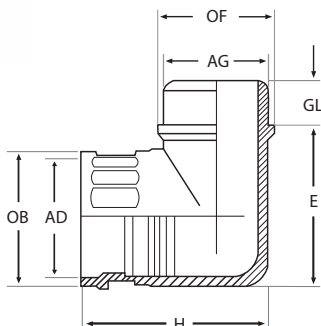




## Product Overview

- Specification of thread : Metric, G, NPT
- Material : PA6
- Temperature Range : -40°C to 105°C, Short term 150°C
- Protection Degree : IP66, Using suitable seals (FR/ FRH)



CE PAHS

PG TYPE	Product Model		Flexible Size		Total Length (H) (E)		Outer Size (AG)	Thread Length (GL)	Qty/Bag
	SQW-AD10.0/PG7		AD10.0	1/4"	33.5	32.0	8.5	10.0	100
	SQW-AD13.0/PG9		AD13.0	5/16"	36.0	34.0	12.0	10.0	100
	SQW-AD15.8/PG11		AD15.8	3/8"	42.0	37.0	13.5	10.0	100
	SQW-AD18.5/PG13.5		AD18.5		46.0	44.0	15.5	11.0	100
	SQW-AD21.2/PG16		AD21.2	1/2"	50.0	49.0	18.0	12.0	50
	SQW-AD28.5/PG21		AD28.5	3/4"	57.0	56.2	24.0	12.0	50
	SQW-AD34.5/PG29		AD34.5	1"	67.5	63.0	32.0	12.0	20
	SQW-AD42.5/PG36		AD42.5	1-1/4"	83.0	70.0	36.5	12.0	20
	SQW-AD54.5/PG48		AD54.5	2"	88.0	83.0	48.5	14.0	10

M TYPE	Product Model		Flexible Size		Total Length (H) (E)		Outer Size (AG)	Thread Length (GL)	Qty/Bag
	SQW-AD10.0/M12		AD10.0	1/4"	33.5	32.0	7.0	10.0	100
	SQW-AD13.0/M16		AD13.0	5/16"	36.0	34.0	8.0	10.0	100
	SQW-AD15.8/M18		AD15.8	3/8"	42.0	44.0	12.0	10.0	100
	SQW-AD18.5/M20		AD18.5		45.0	47.0	14.0	11.0	100
	SQW-AD21.2/M20		AD21.2	1/2"	50.0	49.0	15.5	13.0	50
	SQW-AD25.0/M25		AD25.0		57.0	56.2	18.0	13.0	50
	SQW-AD28.5/M25		AD28.5	3/4"	57.0	56.2	18.0	13.0	50
	SQW-AD34.5/M32		AD34.5	1"	67.5	63.0	24.0	12.0	20
	SQW-AD42.5/M40		AD42.5	1-1/4"	83.0	70.0	32.0	12.0	20
SQW-AD54.5/M50		AD54.5	2"	88.0	83.0	39.0	14.0	10	
SQW-AD54.5/M63		AD54.5	2"	88.0	83.0	53.0	14.0	10	

Flange Con- nector	Product Model		Flexible Size		Total Length (H) (E)		Outer Size (AG)	Thread Length (GL)	Qty/Bag
	SSFC-67.2B		AD67.2	2-1/2"	94.0	80.0	7.0	69.0	10
	SSFC-80.0B		AD80.0	3"	110.0	94.0	10.0	80.0	5

